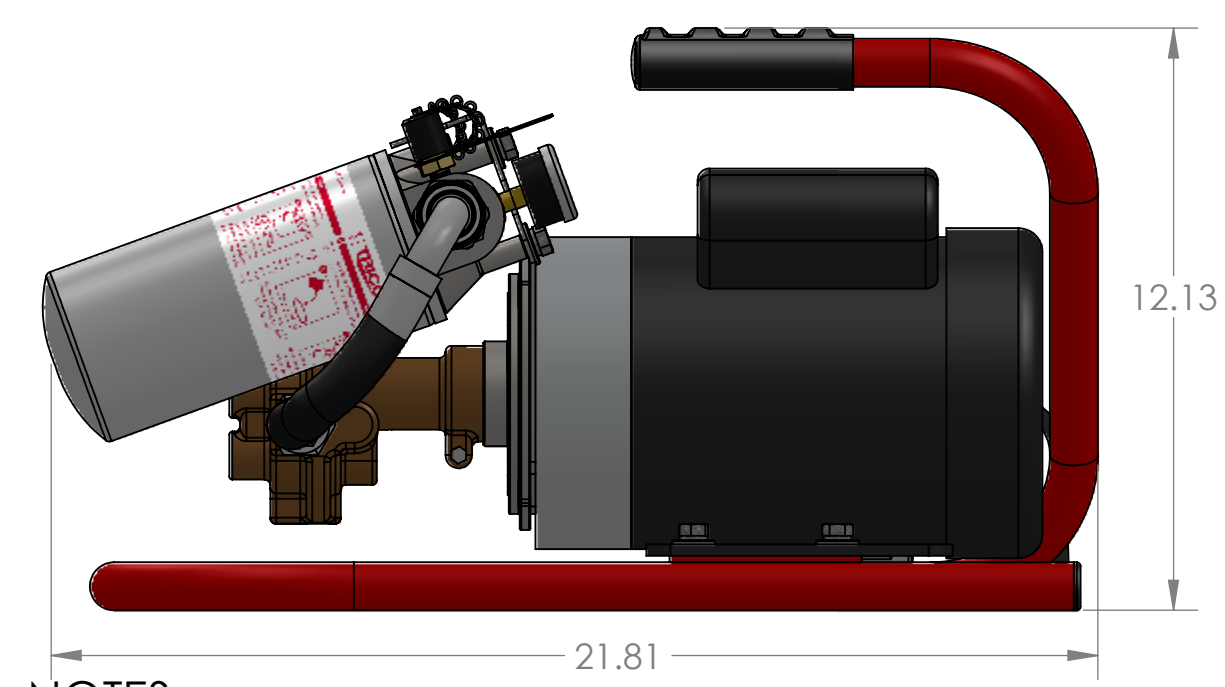
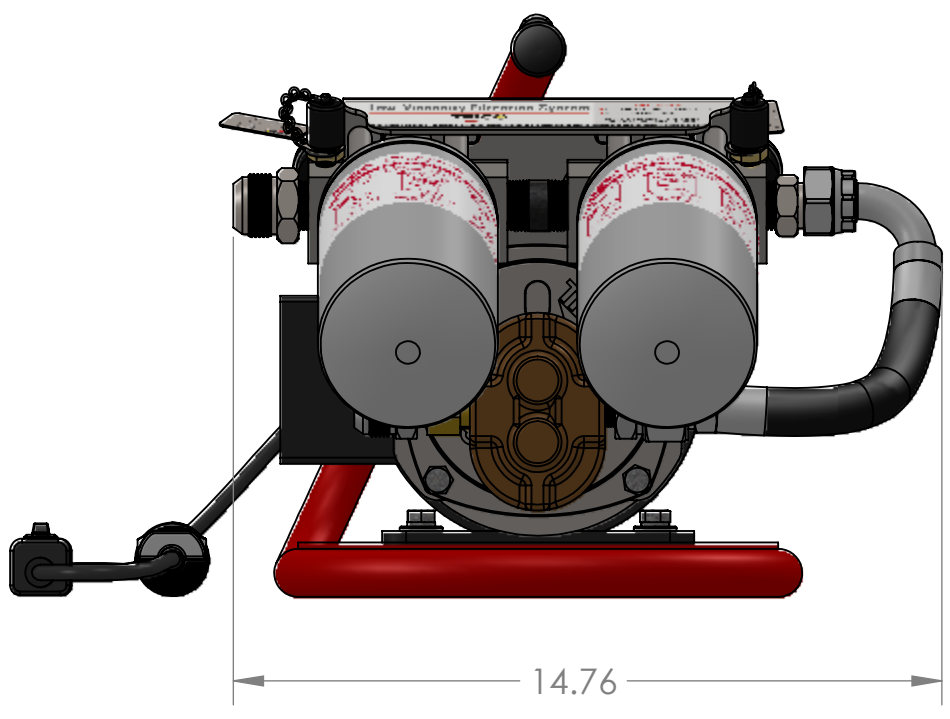
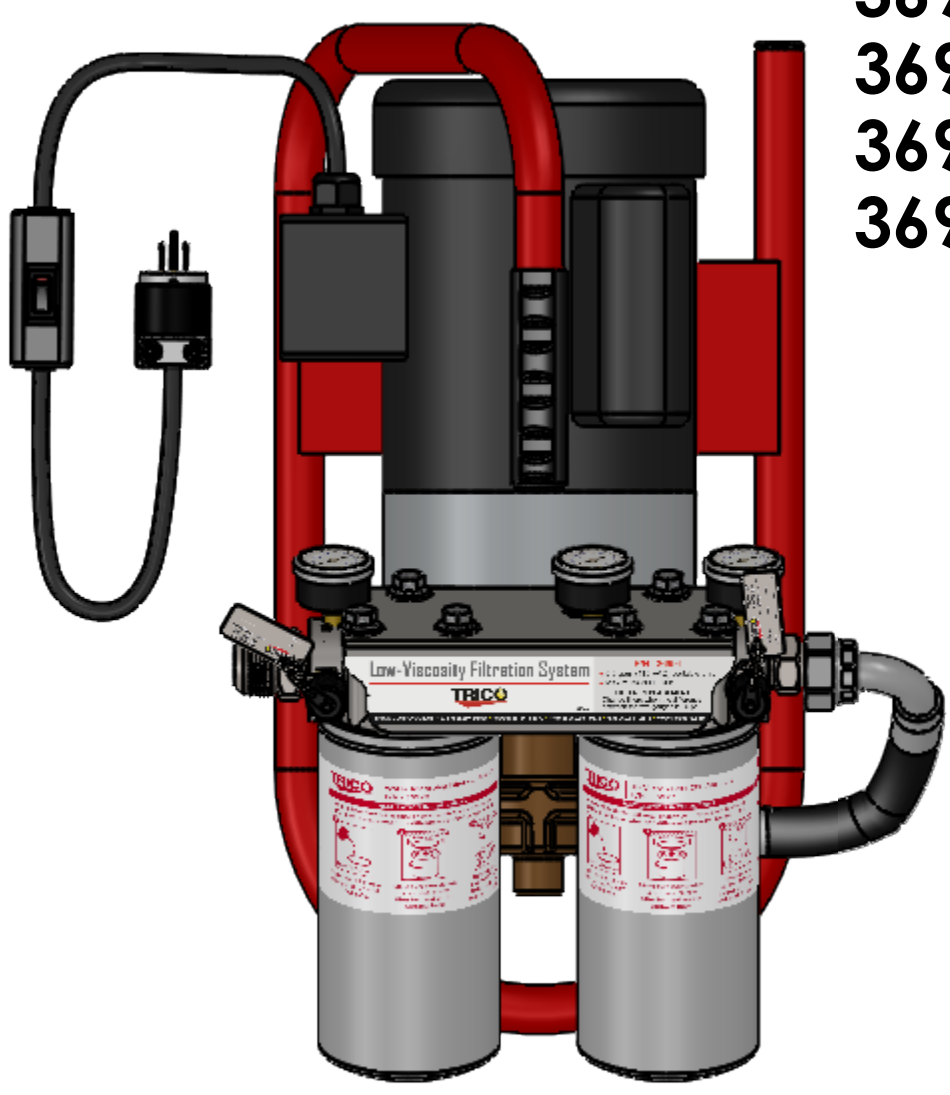
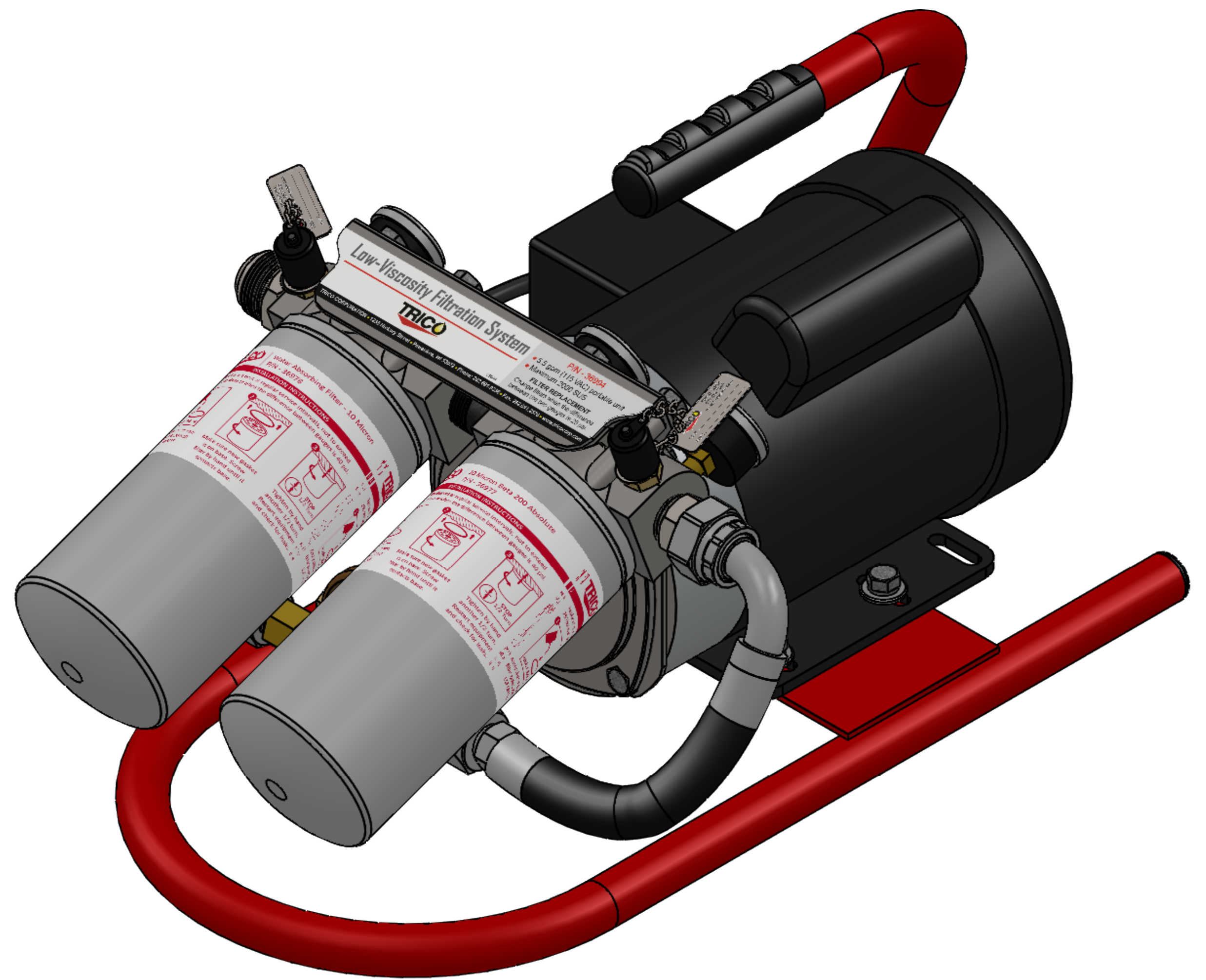


36994 = 60Hz 120V Low-Viscosity Hand-Held System with 3/4" MNPT 6ft Hoses
 36994-QC = 60Hz 120V Low-Viscosity Hand-Held System with 6ft Hoses & Hydraulic Couplers
 36994-OP-10 = 60Hz 120V Low-Viscosity Hand-Held System with 3/4" MNPT 10ft Hoses
 36994-QC-10 = 60Hz 120V Low-Viscosity Hand-Held System with 10ft Hoses & Hydraulic Couplers
 36944 = 50Hz 220V Low-Viscosity Hand-Held System with 3/4" MNPT 6ft Hoses (similar part numbers as above)



NOTES:
1.



PROPRIETARY AND CONFIDENTIAL
 This drawing and any information or descriptive matter set out hereon are the confidential and copyright property of TRICO and must not be disclosed, loaned, copied or used for manufacturing, tendering or any other purpose without their written permission.

THIRD ANGLE PROJECTION		ALL DIMENSIONS IN INCHES UNLESS OTHERWISE STATED	
TOLERANCES: X.XX ±.015 X.XXX ±.005 FRACTIONS ±1/16		ALL DRAWINGS MUST BE CONSIDERED UNCONTROLLED UNLESS OTHERWISE STAMPED ALL DIMENSIONS IN INCHES UNLESS OTHERWISE STATED ANGLES X ±1° GEOMETRICALLY TOLERANCED TO ANSI Y14.5 (BS ISO 1101)	
DRAWN:	NAME: AFB	DATE: 8/10/2020	MATERIAL:
CHECKED:	NAME: AFB	DATE: 2/16/2022	STOCK SIZE:
APPRVD:			FINISH:

DESCRIPTION / TITLE: Low-Viscosity Portable Hand-Held System		
SIZE: C	PART NUMBER: 36994	REV.
SCALE: 1:4		
DO NOT SCALE DRAWING		SHEET: 1 OF 8