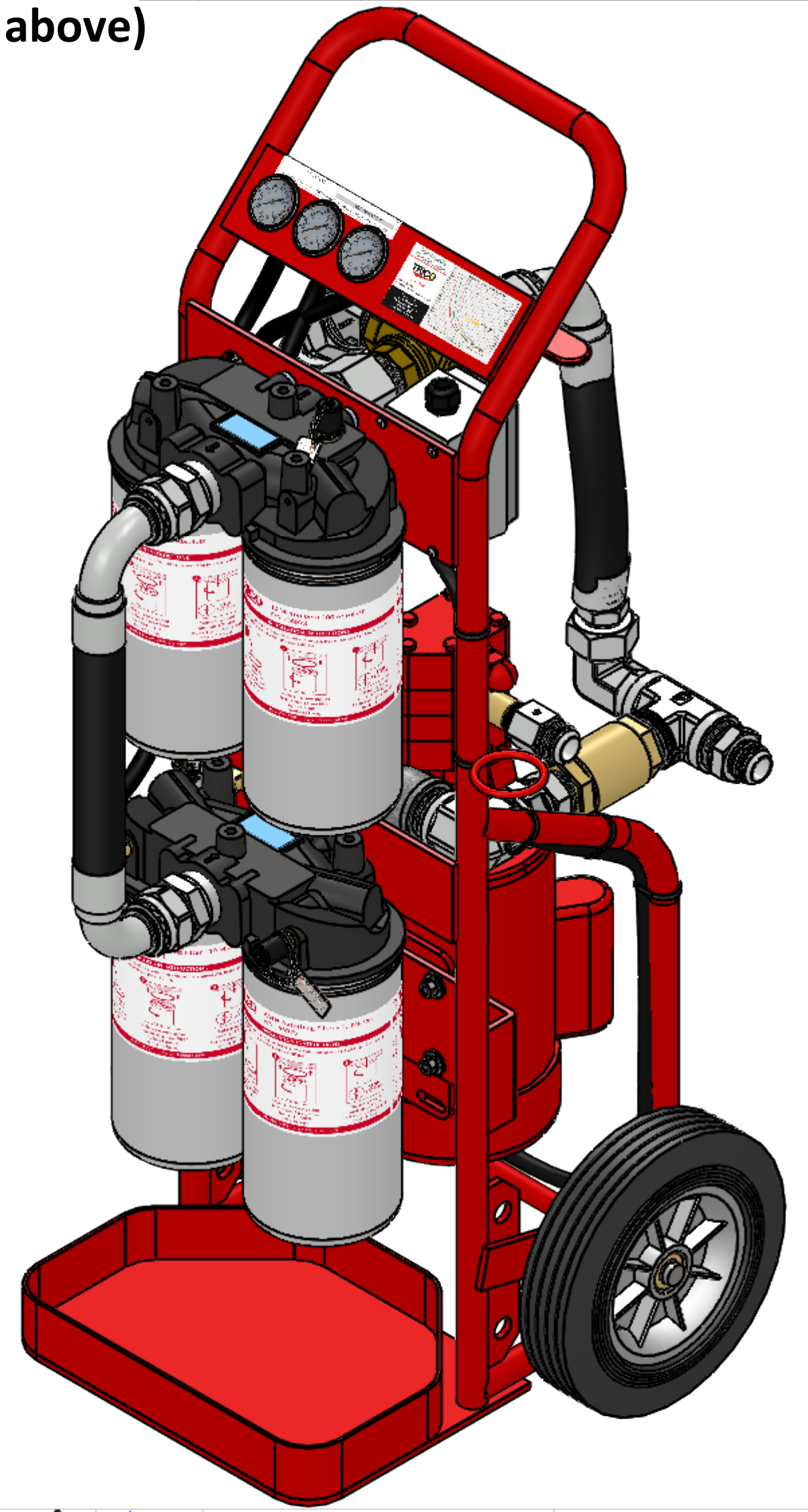
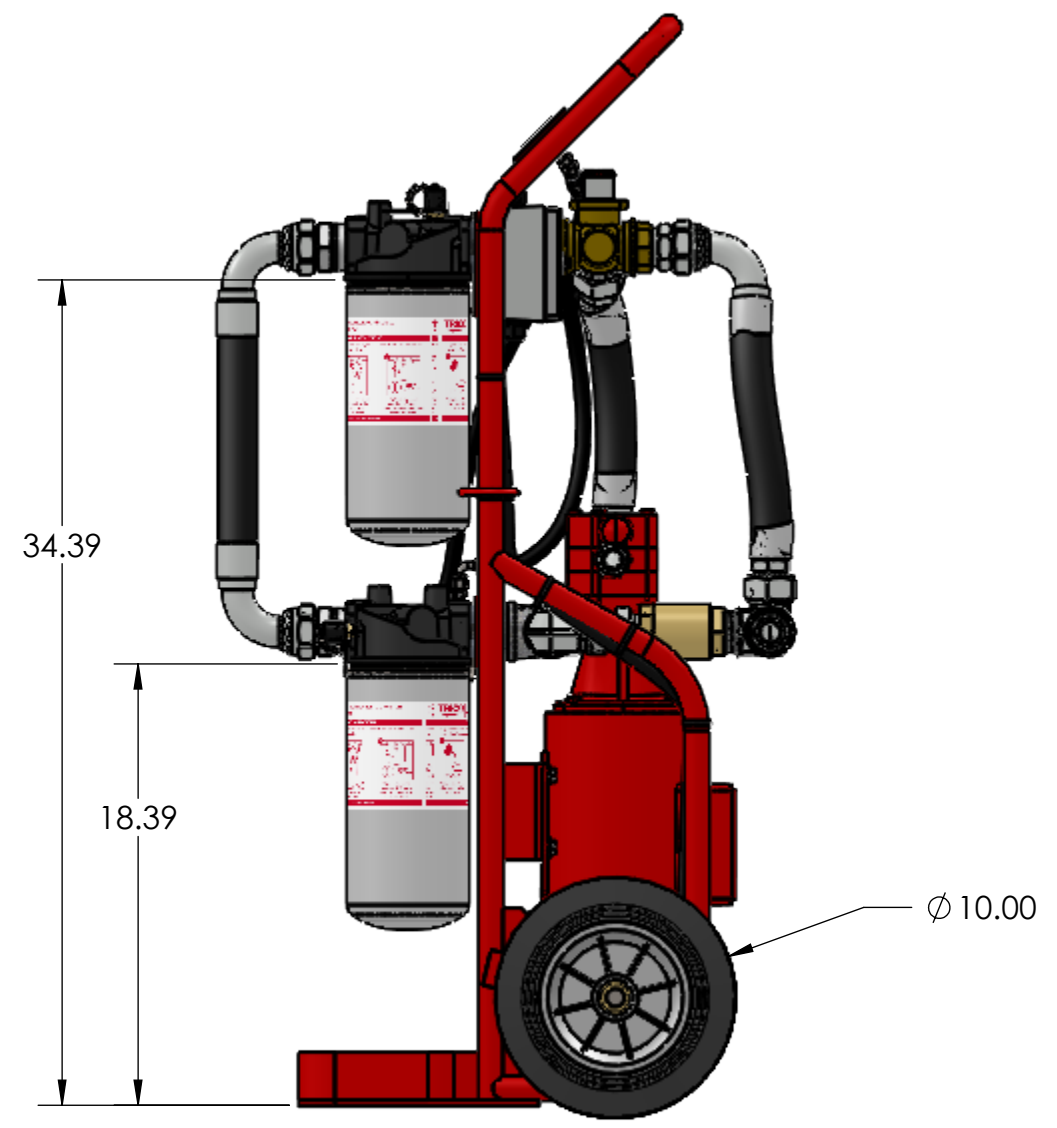
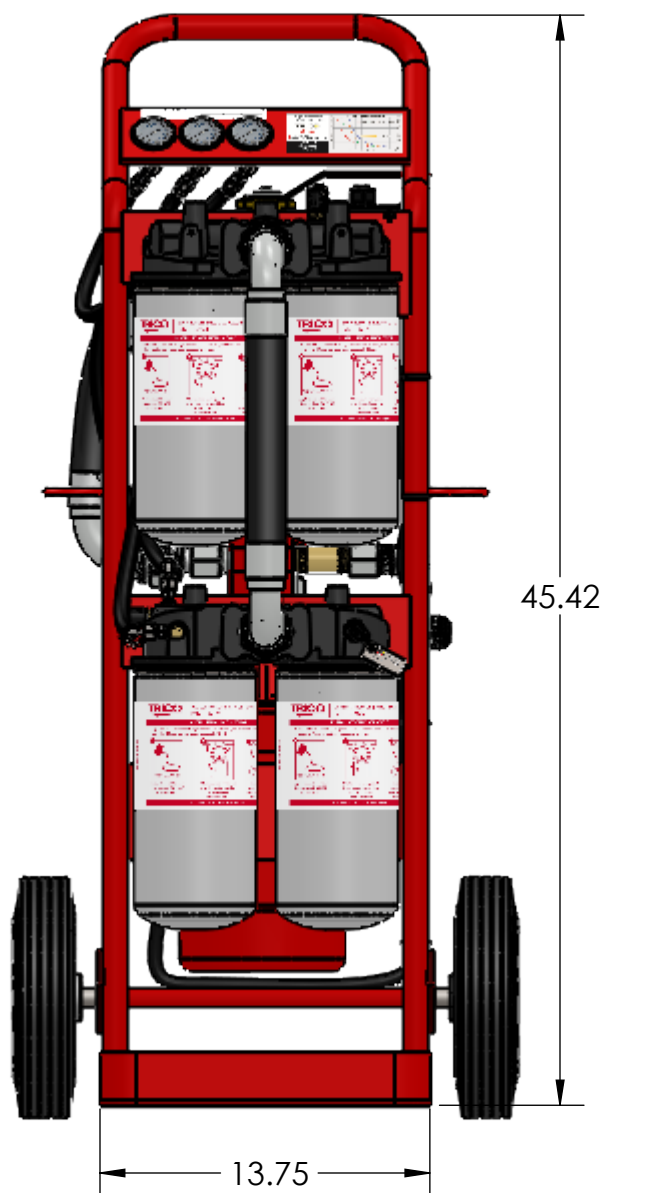
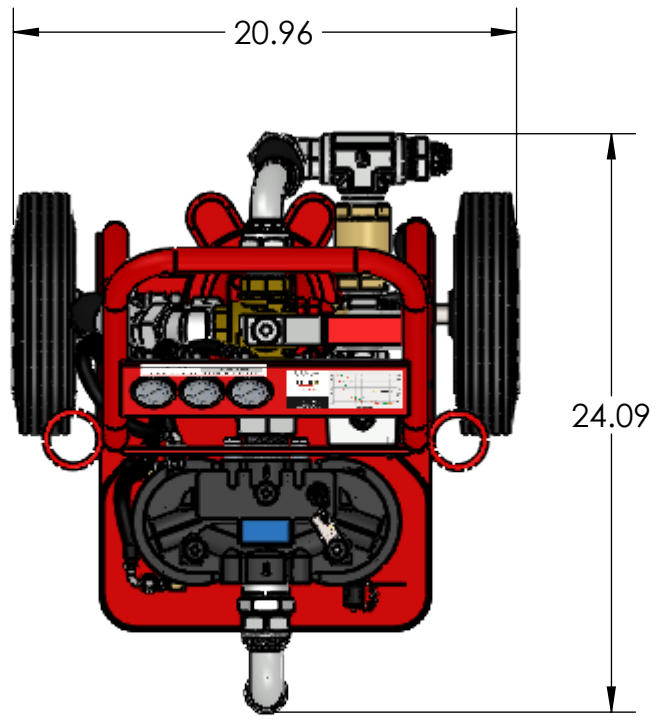



36970 = 60Hz 120V High-Viscosity Filtration Cart, 6ft Hose with Wands
36970-QC = 60Hz 120V High-Viscosity Filtration Cart, 6ft Hose with Hydraulic Couplers
36970-W-10 = 60Hz 120V High-Viscosity Filtration Cart, 10ft Hose with Wands
36970-QC-10 = 60Hz 120V High-Viscosity Filtration Cart, 10ft Hose with Hydraulic Couplers
36998 - 50Hz 220V High-Viscosity Filtration Cart with Wands (similar part numbers as above)

REV.	DATE	DESCRIPTION	INIT.
D	10/20/2023	3D PRINTED WHEEL SPACER ADDED	AFB
E	2/26/2024	ADDED WHEEL WASHER PART NUMBER & WHEEL SPACER PART NUMBER	AFB
F	6/20/2024	UPDATED TO ONE PIECE FILTER HEAD	AFB
G	7/19/2024	PUMP UPDATED	AFB



NOTES:
1.



PROPRIETARY AND CONFIDENTIAL

This drawing and any information or descriptive matter set out hereon are the confidential and copyright property of TRICO and must not be disclosed, loaned, copied or used for manufacturing, tendering or any other purpose without their written permission.

THIRD ANGLE PROJECTION

ALL DIMENSIONS IN INCHES UNLESS OTHERWISE STATED

TOLERANCES:
X.XX ±.015 ANGLES X ±1°
X.XXX ±.005
FRACTIONS ±1/16

GEOMETRICALLY TOLERANCED TO ANSI Y14.5 (BS ISO 1101)

DESCRIPTION / TITLE:
High-Viscosity Filtration Cart

SIZE: C	PART NUMBER: 36970	REV. G
MATERIAL:		
STOCK SIZE:		
FINISH:		
SCALE: 1:8	SHEET: 1 OF 14	
DO NOT SCALE DRAWING		

DRAWN:	NAME: MCL	DATE: 12/07/2020
CHECKED:	NAME: AFB	DATE: 10/20/2023
APPRVD:	NAME: AFB	DATE: 7/19/2024