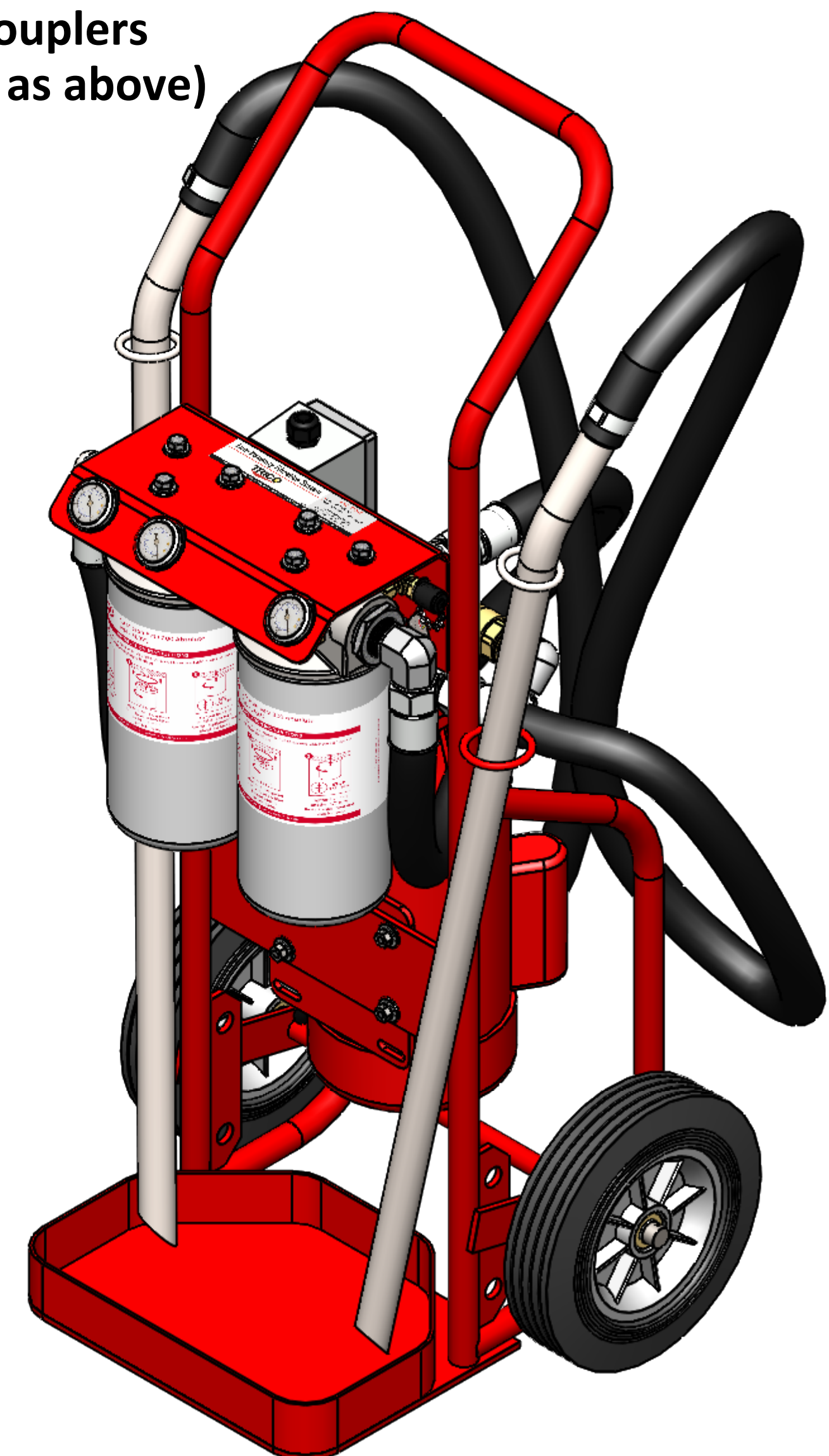
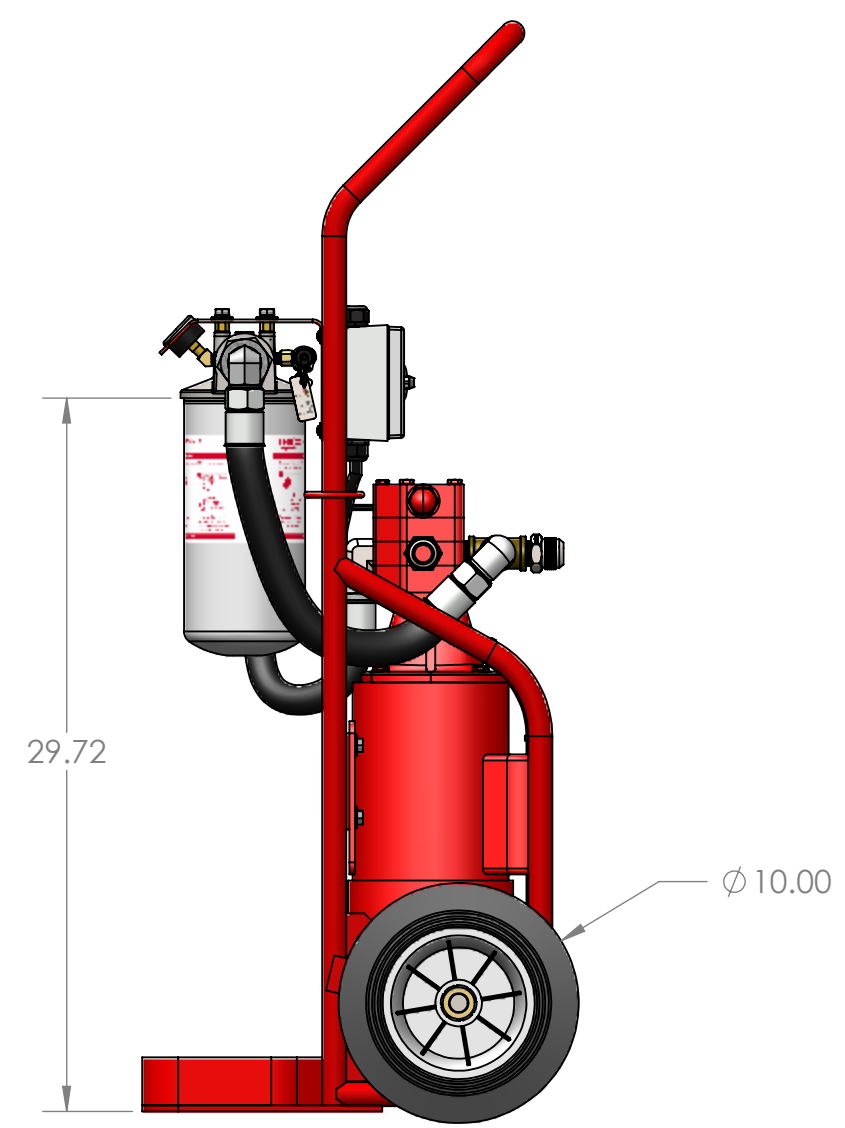
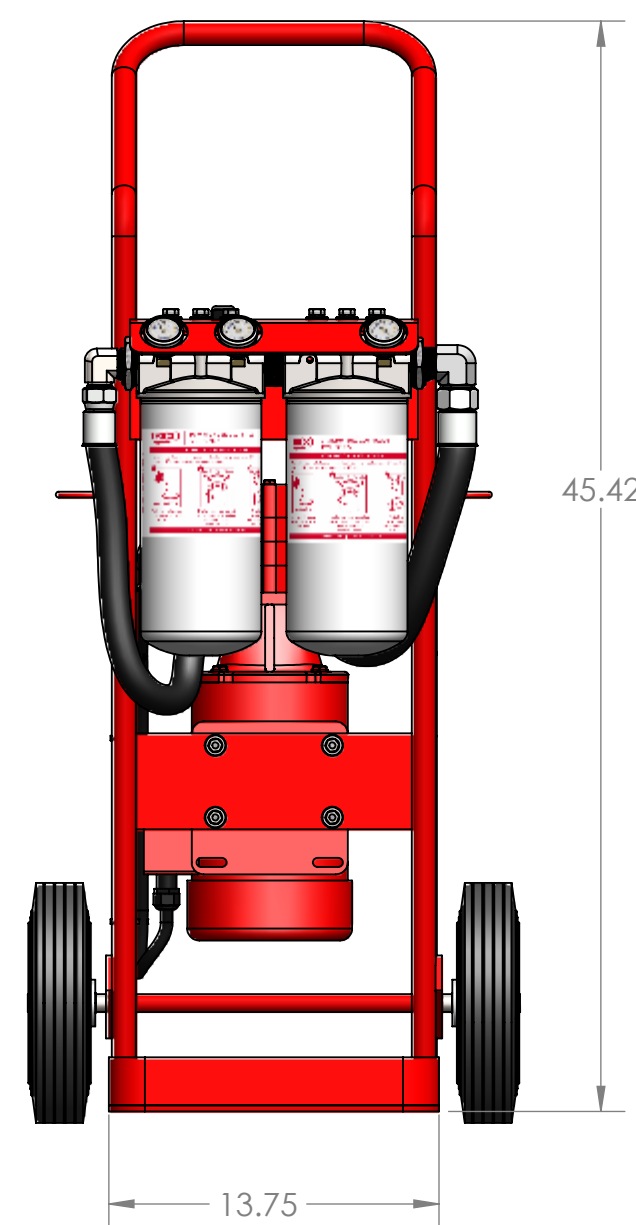
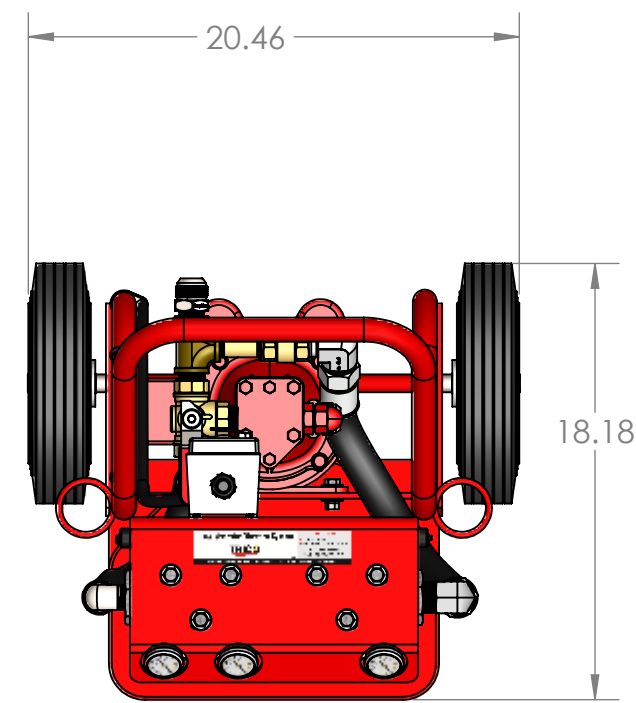


36946 = 60Hz 120V Low-Viscosity Filtration Cart, 6ft Hose with Wands
36946-QC = 60Hz 120V Low-Viscosity Filtration Cart, 6ft Hose with Hydraulic Couplers
36946-W-10 = 60Hz 120V Low-Viscosity Filtration Cart, 10ft Hose with Wands
36946-QC-10 = 60Hz 120V Low-Viscosity Filtration Cart, 10ft Hose with Hydraulic Couplers
36947 = 50Hz 220V Low-Viscosity Filtration Cart with Wands (similar part numbers as above)

REV.	DATE	DESCRIPTION	INIT.
A	10/20/2023	ADDED 3D WHEEL SPACER	AFB
B	2/26/2024	ADDED WHEEL WASHER & SPACER PART NUMBER	AFB
C	8/20/2024	PUMP UPDATED	AFB



NOTES:
1.



PROPRIETARY AND CONFIDENTIAL
 This drawing and any information or descriptive matter set out hereon are the confidential and copyright property of TRICO and must not be disclosed, loaned, copied or used for manufacturing, tendering or any other purpose without their written permission.

THIRD ANGLE PROJECTION
 ALL DIMENSIONS IN INCHES UNLESS OTHERWISE STATED

TOLERANCES:
 X.XX ±.015 ANGLES X ±1°
 X.XXX ±.005 GEOMETRICALLY TOLERANCED TO ANSI Y14.5 (BS ISO 1101)
 FRACTIONS ±1/16

NAME:	DATE:
AFB	10/21/2020
AFB	8/20/2024
APPRVD:	

DESCRIPTION / TITLE:
Low-Viscosity Filtration Cart

SIZE:	PART NUMBER:	REV.
C	36946	c
MATERIAL:	STOCK SIZE:	FINISH:
SCALE: 1:8	SHEET: 1 OF 9	
DO NOT SCALE DRAWING		