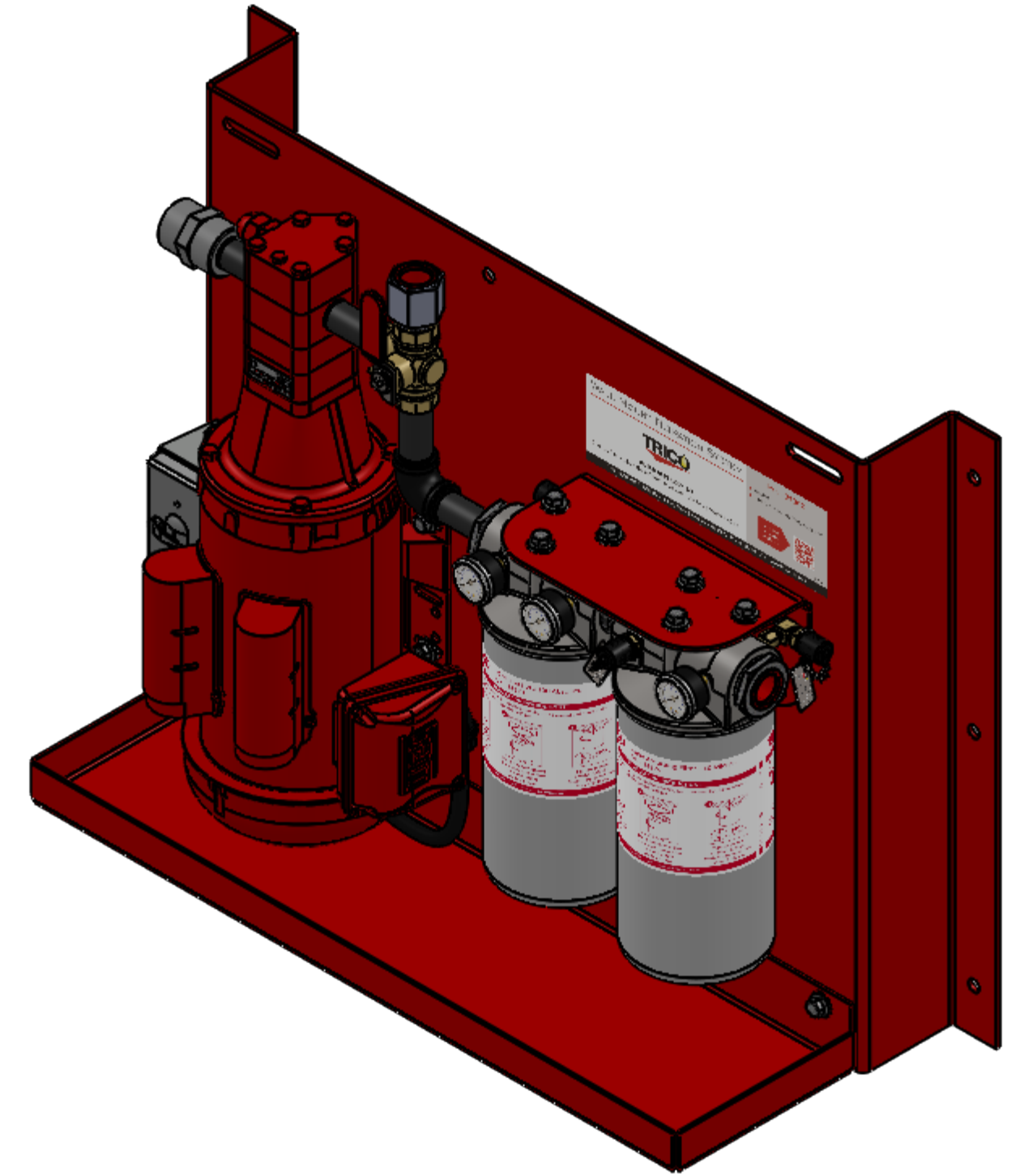
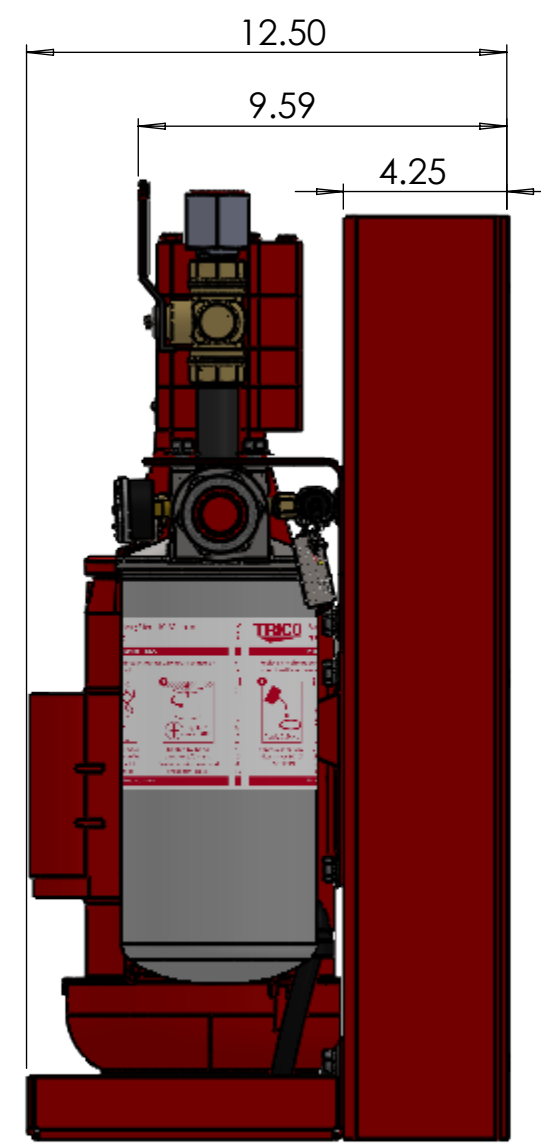
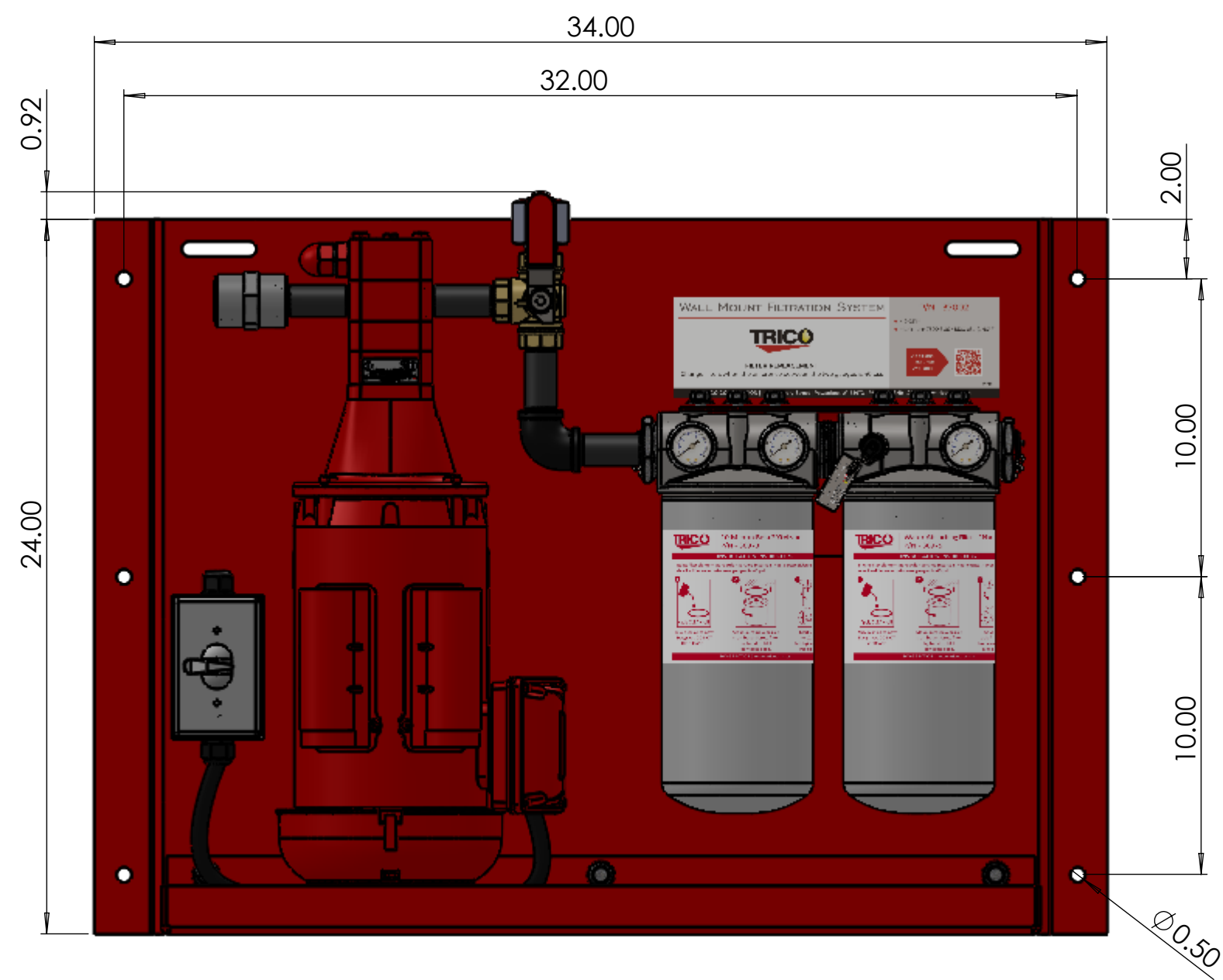
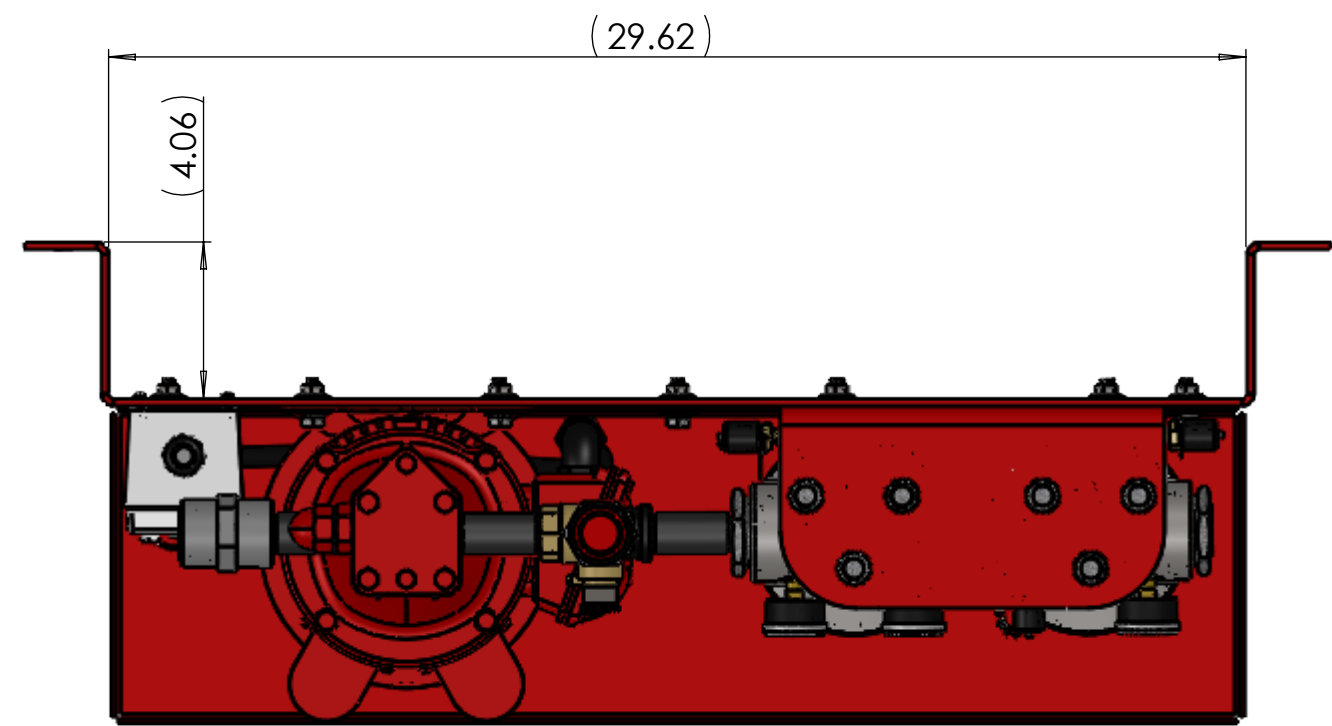


REVISIONS			
REV.	DESCRIPTION	DATE	APPROVED
A	INITIAL RELEASE	8/1/2024	AFB



PROPRIETARY AND CONFIDENTIAL

This drawing and any information or descriptive matter set out hereon are the confidential and copyright property of TRICO and must not be disclosed, loaned, copied or used for manufacturing, tendering or any other purpose without their written permission.

THIRD ANGLE PROJECTION

ALL DRAWINGS MUST BE CONSIDERED UNCONTROLLED UNLESS OTHERWISE STAMPED

ALL DIMENSIONS IN INCHES UNLESS OTHERWISE STATED

TOLERANCES:
 X.XX ±.015 ANGLES X ±1°
 X.XXX ±.005
 FRACTIONS ±1/16

GEOMETRICALLY TOLERANCED TO ANSI Y14.5 (BS ISO 1101)

DESCRIPTION / TITLE: Wall Mounted Filtration System, 10Um, 10H2O, 1" FNPT Connection		
SIZE: C	PART NUMBER: 37002	REV. A
MATERIAL:		
STOCK SIZE:		
FINISH:		
SCALE: 1:5	SHEET: 1 OF 8	
DO NOT SCALE DRAWING		